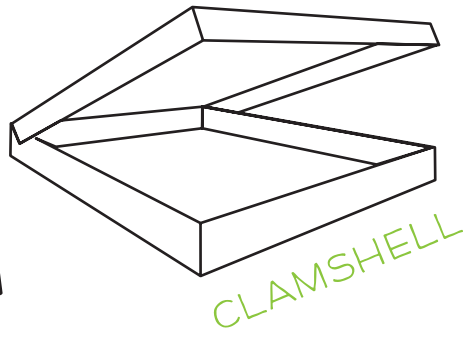
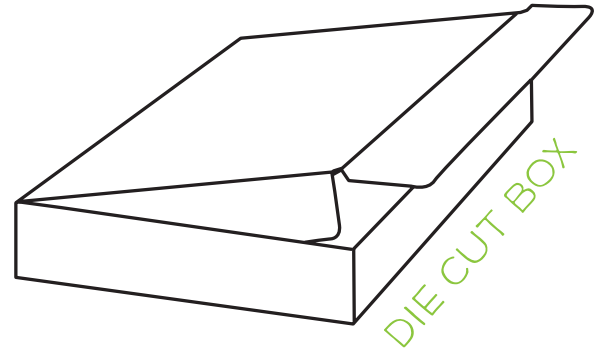


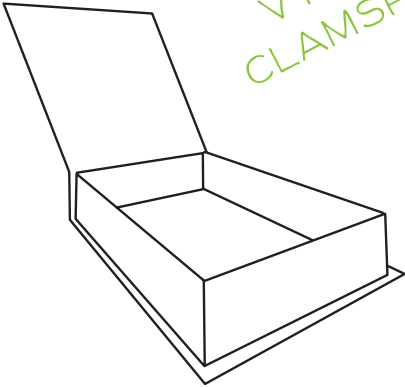
V NOTCH CLAMSHELL



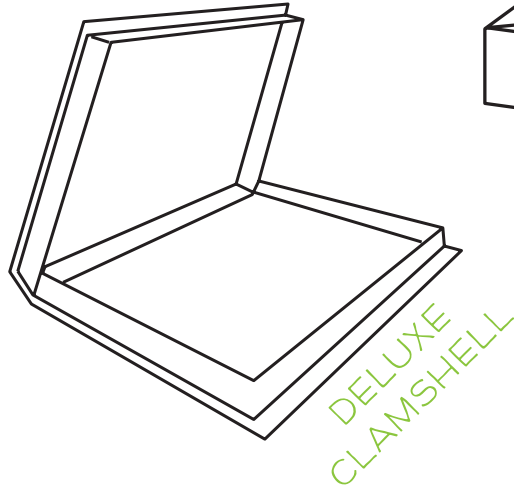
CLAMSHELL



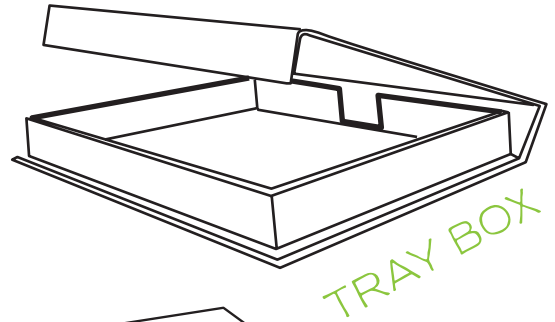
DIE CUT BOX



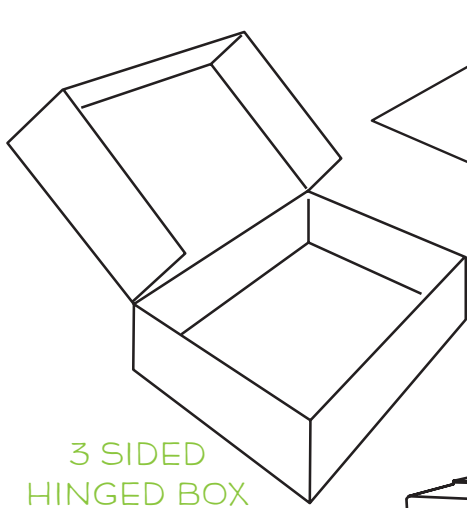
TRAY IN A 3 PANEL FOLDER BOOK STYLE



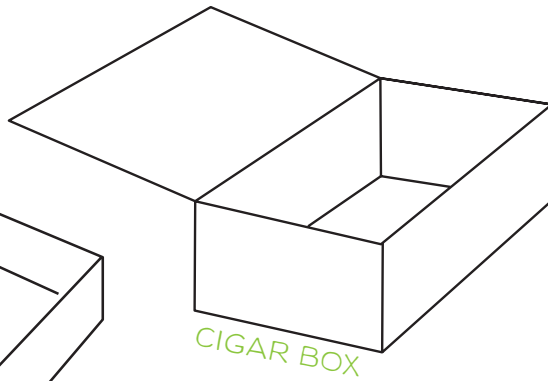
DELUXE CLAMSHELL



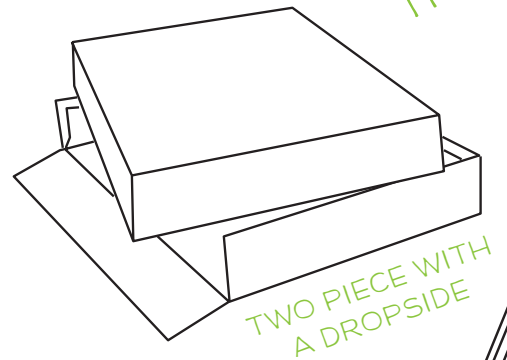
TRAY BOX



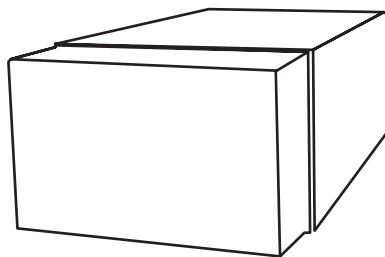
3 SIDED HINGED BOX



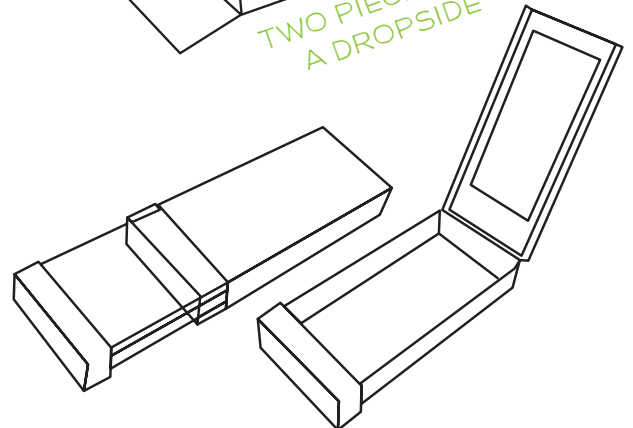
CIGAR BOX



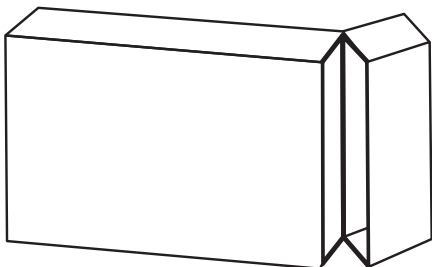
TWO PIECE WITH A DROPSIDE



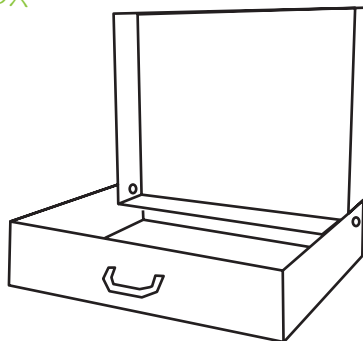
DRAWER BOX



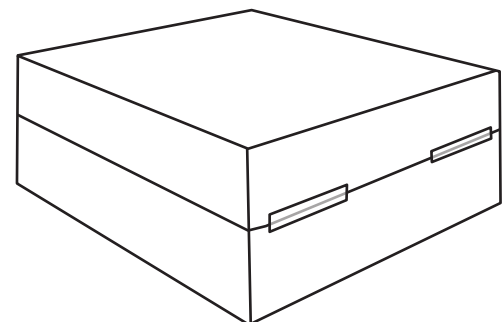
SPECIALTY HINGE BOX



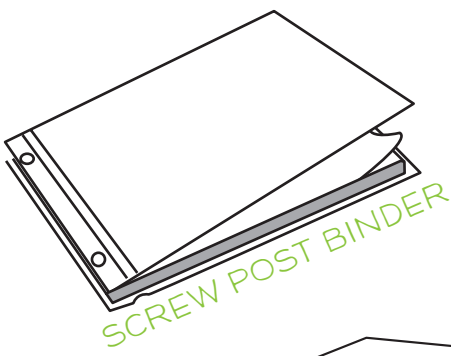
4 SIDED HINGED BOX



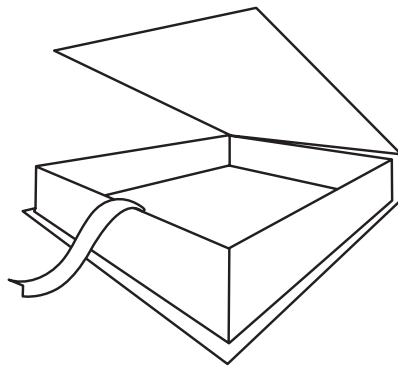
PIN HINGED BOX



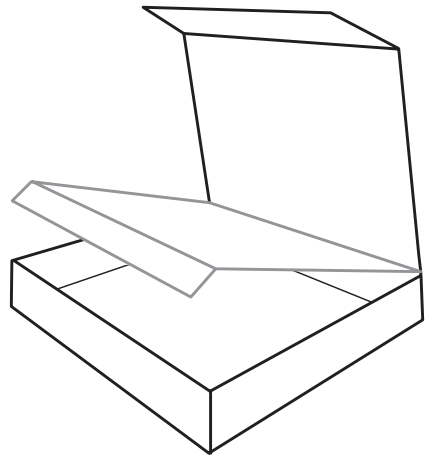
METAL HINGED BOX



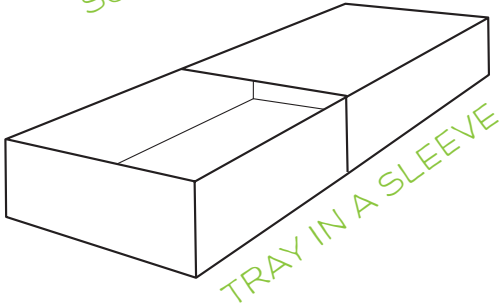
SCREW POST BINDER



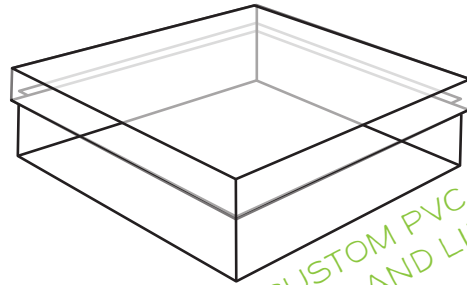
TRAY IN A 3 PANEL WITH RIBBON LIFT



TRAY WITH A 3 PANEL LID



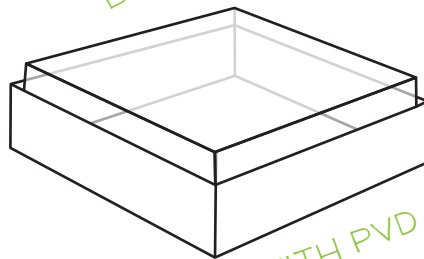
TRAY IN A SLEEVE



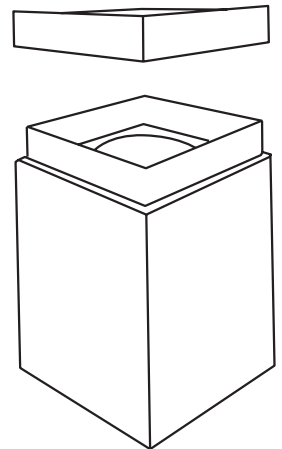
CUSTOM PVC BASE AND LID



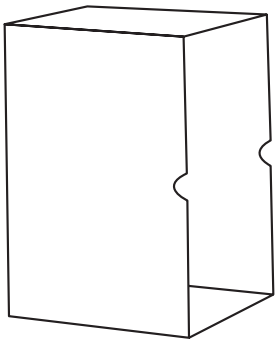
TRAY IN A SLEEVE WITH PVC WINDOW



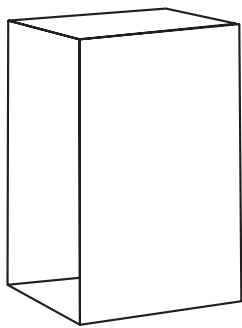
TRAY WITH PVD LID



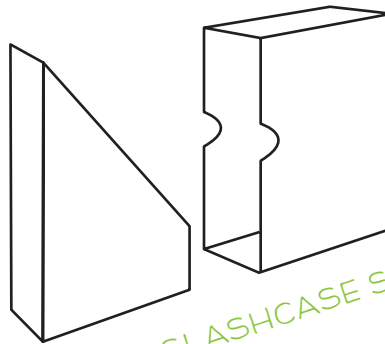
BASE & LID WITH NECK AND TRAY INSERT



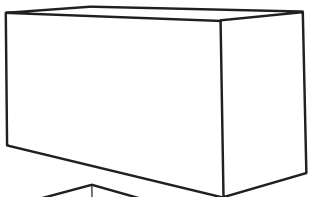
SLIPCASE WITH THUMBCUTS



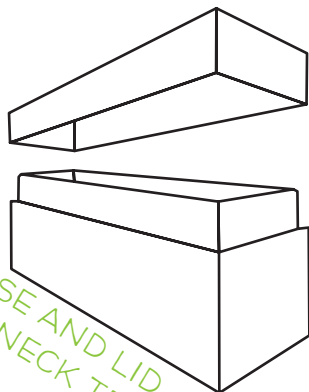
SLIPCASE



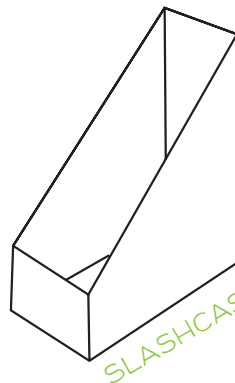
SLIP & SLASHCASE SET



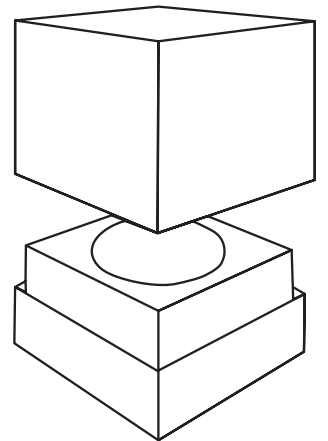
BASE AND LID



BASE AND LID WITH NECK TRAY



SLASHCASE



BASE AND LID WITH INSERT